

# UCom-03

## USB to RS232/RS485



### Features

- Connect **Isolated** RS485/RS232 devices to your USB port
- RS485 data rate up to 115.2kbps
- RS232 data rate up to 200kbps
- Maximum 32 devices on Rs485
- USB 2.0 (12 Mbps ) compatible
- Convenient, quick inline installation
- Compact size fits into laptop bags, perfect for field services
- USB port-powered
- High retention USB port holds USB cables securely
- Removable terminal block for easy wiring
- USB cable included

### Specifications

#### Serial Port

- RS485 DataA(+), DataB(-), Ground (Isolation 2500VDC)
- RS232 1(DCD), 2(RXD), 3(TXD), 4(DTR), 5(GND), 6(DSR), 7(RTS), 8(CTS) and 9(RI)
- Connector Removable
- Data Rate RS485 - 115.2 kbps, RS232 - 200 kbps.

#### USB

- Connector USB Type B female, high retention port 1.54kg (15N full force)
- Standard 2.0 (backward compatible)
- Data Rate 12 Mbps

#### Power

- Source USB port
- Input Voltage 5 V<sub>DC</sub>
- Consumption 1 W (low power device - draws less than 200mA)

#### Software

- Driver FTDI
- Operating System Windows , Linux and Android

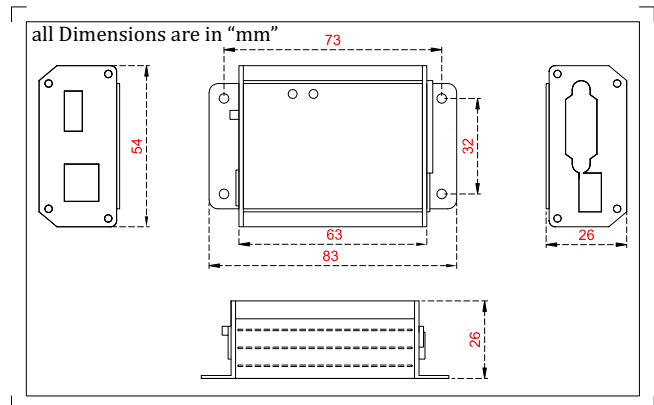
#### Environmental

- Operating Temperature 0 °C to + 70 °C
- Storage Temperature -40 °C to + 85 °C
- Operating Humidity 0 to 95% (non-condensing)

### Mechanical

- Dimensions (mm) 83.0(L) X 54.0(W) X 26.0(H)
- Enclosure Aluminium HE30
- Weight 100g

### Mechanical Dimensions



### Application

