

UCom-04

USB to RS422 /RS485



Features

- Connect **Isolated** RS422/RS485 devices to your USB port
- RS422 data rate up to 115.2kbps
- RS485 data rate up to 115.2kbps
- Maximum 32 devices on RS485
- USB 2.0 (12 Mbps) compatible
- Convenient, quick inline installation
- Compact size fits into laptop bags, perfect for field services
- USB port-powered
- High retention USB port holds USB cables securely
- Removable terminal block for easy wiring
- USB cable included

Specifications

Serial Port

- RS422 T/R+, T/R-, R+, R-, Ground (Isolation 2500VDC)
- RS485 Data A+, Data B-, Ground (Isolation 2500VDC)
- Connector Removable
- Data Rate RS422 - 115.2 kbps, RS485 - 115.2 kbps.

USB

- Connector USB Type B female, high retention port (1.54kg 15N full force)
- Standard 2.0 (backward compatible)
- Data Rate 12 Mbps

Power

- Source USB port
- Input Voltage 5 V_{DC}
- Consumption 1 W (low power device - draws less than 200mA)

Software

- Driver FTDI
- Operating System Windows , Linux and Android

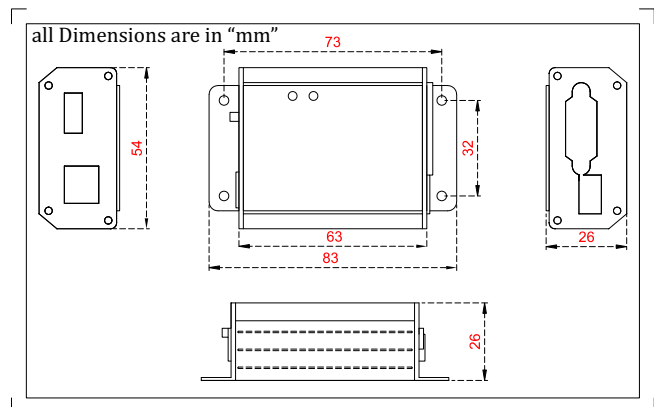
Environmental

- Operating Temperature 0 °C to + 70 °C
- Storage Temperature -40 °C to + 85 °C
- Operating Humidity 0 to 95% (non-condensing)

Mechanical

- Dimensions (mm) 83.0(L) X 54.0(W) X 26.0(H)
- Enclosure Aluminium HE30
- Weight 100g

Mechanical Dimensions



Application

