

SigCon200-10

PT100 to 4-20mA



Features

- Compact Din rail Mounting
- Three wire PT100 RTD signal input
- High accuracy of 0.2% FS
- High linearity of 0.2% FS
- Isolation test voltage 2.0kVAC for 65s
- Low ripple and noise: <30mVp-p
- High reliability, Low cost compact design, Convenient to Use
- Rugged Durability

Technical Parameters

Input Signal	PT100
Output Signal	4-20mA
Output Load Resistance	$R_L \leq 500\Omega$
Power	DC24V \pm 10%
Current Consumption	$\leq 30\text{mA}$ (one input and one output 24V power supply, 20mA output) $\leq 60\text{mA}$ (two in two out, 24V power supply 20mA output)
Basic Accuracy	0.2% F.S
Insulation Strength	1500AC/1min
Insulation Resistance	$\geq 100\text{M}\Omega$
Applicable Field Devices	Two-wire system, Three-wire thermal resistance
Electric Isolation	Input to output and I/O to power supply isolation
Electric Strength Test	2.0kVAC / 60S
Safety Standard	EN62368-1 (EN60950-1)
Safety Class	CLASS III

Environmental

- Operating Temperature 0 °C to + 70 °C
- Storage Temperature -40 °C to + 85 °C
- Operating Humidity 0 to 95% (non-condensing)

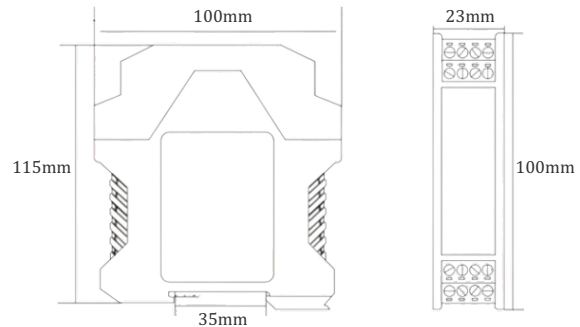
Pin Mapping

• 1	-	9	4-20 + (1)
• 2	RTD - (1)	10	4-20 - (1)
• 3	RTD - (1)	11	4-20 + (2)
• 4	RTD + (1)	12	4-20 - (2)
• 5	-	13	DC24V (+)
• 6	RTD - (2)	14	DC24V (-)
• 7	RTD - (2)	15	-
• 8	RTD + (2)	16	-

Mechanical

- Dimensions(mm) 23.0(L) X 100.0(W) X 115.0(H)
- Enclosure Polyamide (PA66)
- Weight 150g

Mechanical Dimensions



Application

