

# inos\_208

## Analog Output Module



### Features

- 8 Channel 4-20mA/0-10V (Factory Configurable), 14-bit DAC
- Provision to set Parameter Range for each channel
- Compact Din rail Mounting
- Modbus RTU RS485
- Modular Architecture
- Rugged Durability

### Display Features

- 2 Digits Multi-Function Display
- MODBUS Setting (ID, Baud rate & Parity Setting)
- LED Indication for Communication

### Use Cases

- Process Automation
- Automotive Industry
- Retrofit old machines with new devices
- Building Automation
- Sub-station Automation
- Input to Output Expansion / Integration
- Process Optimization

### Specifications

#### Power

- Operating Voltage 24 VDC
- Power Consumption Maximum 5 Watt

#### Analog Outputs

- Analog Outputs 08 Channel 4 - 20mA / 0 - 10V
- DAC resolution 14-bit
- DAC accuracy 0.1 % FS
- Isolation Type Isolated(2KV) Digital to Analog

#### Data Connectivity

- Connectivity Supported Isolated RS485
- Protocol Supported Modbus RTU
- Communication Interface 2-Wire Type
- Watchdog Timer System (5 Sec)

### Environmental

- Operating Temperature 0 °C to + 70 °C
- Storage Temperature -40 °C to + 85 °C
- Operating Humidity 0 to 95% (non-condensing)

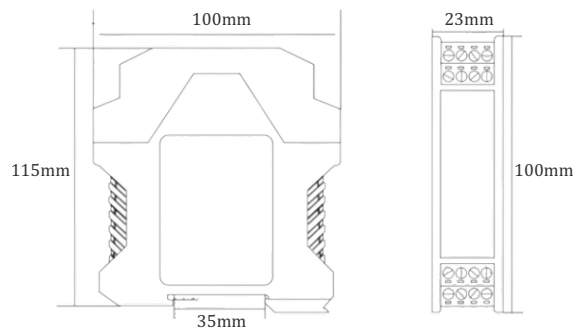
### Pin Mapping

1	Analog Output 01	9	Analog Output 07
2	Analog Output 02	10	Analog Output 08
3	Analog Output 03	11	-
4	Ground	12	-
5	Analog Output 04	13	DC24V +
6	Analog Output 05	14	DC24V -
7	Analog Output 06	15	RS485 A
8	Ground	16	RS485 B

### Mechanical

- Dimensions (mm) 23.0(L) X 100.0(W) X 115.0(H)
- Enclosure Polyamide (PA66)
- Weight 150g

### Mechanical Dimensions



### Application

