

# inos\_280

## Analog Input Module



### Features

- 8 Channel 4-20mA/0-10V, 16-bit ADC
- Provision to set Parameter Range, High and Low set points for each channel
- NPN output active on Alarm
- Acknowledge Input
- Compact Din rail Mounting
- Modbus RTU RS485
- Modular Architecture
- Rugged Durability

### Display Features

- 2 Digits Multi-Function Display for Alarm Channels
- MODBUS Setting (*ID, Baud rate & Parity Setting*)
- LED Indication for Communication

### Use Cases

- Process Automation
- Automotive Industry
- Retrofit old machines with new devices
- Building Automation
- Sub-station Automation
- Input to Output Expansion / Integration
- Process Optimization

### Specifications

#### Power

- Operating Voltage 24 VDC
- Power Consumption Maximum 5 Watt

#### Analog Inputs

- Analog Inputs 08 Channel 4 - 20mA / 0 - 10V
- ADC resolution 16-bit
- ADC accuracy 0.1 % FS
- Isolation Type Isolated(2KV) Analog to Digital

#### Data Connectivity

- Connectivity Supported Isolated RS485
- Protocol Supported Modbus RTU
- Communication Interface 2-Wire Type
- Watchdog Timer System (5 Sec)

### Environmental

- Operating Temperature 0 °C to + 70 °C
- Storage Temperature -40 °C to + 85 °C
- Operating Humidity 0 to 95% (non-condensing)

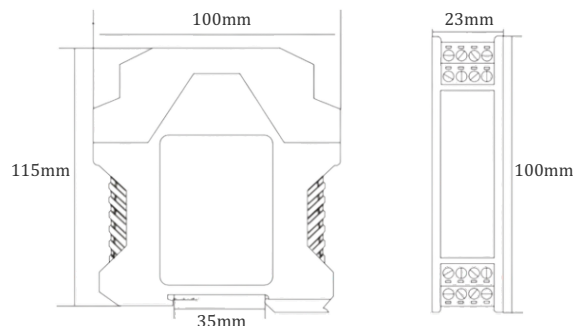
### Pin Mapping

1	Analog Input 01	9	Analog Input 07
2	Analog Input 02	10	Analog Input 08
3	Analog Input 03	11	Digital Input 01
4	Ground	12	Digital Output 01
5	Analog Input 04	13	DC24V +
6	Analog Input 05	14	DC24V -
7	Analog Input 06	15	RS485 A
8	Ground	16	RS485 B

### Mechanical

- Dimensions (mm) 23.0(L) X 100.0(W) X 115.0(H)
- Enclosure Polyamide (PA66)
- Weight 150g

### Mechanical Dimensions



### Application

